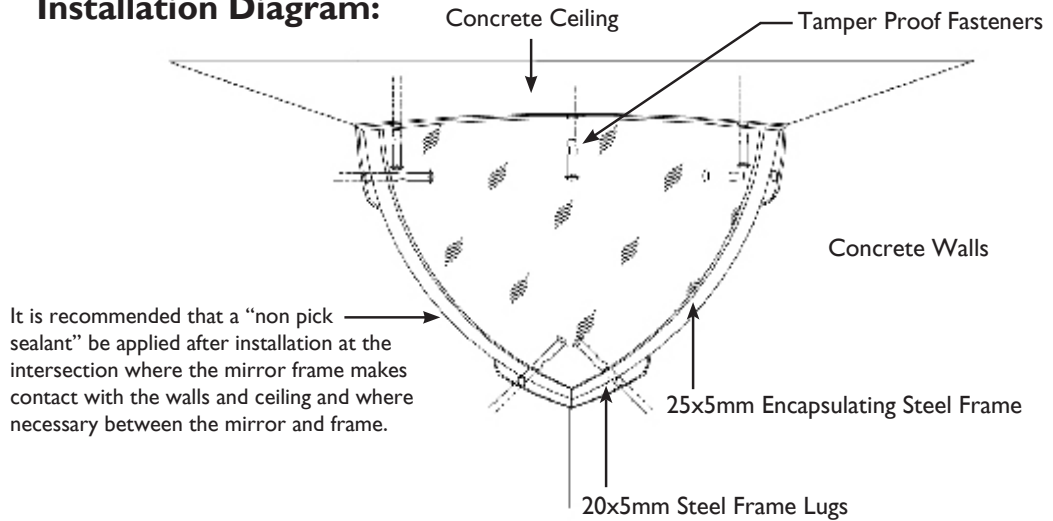


INSTITUTION MIRRORS STAINLESS STEEL QUARTER DOME

Installation Diagram:



NOTE: When installing with tamper proof fasteners, it is important to eliminate damage to the mirror face and powder-coated frame.

Cleaning and Maintenance:

Clean with soap and water and then with a soft, lint free, damp cloth.

DO NOT USE:

- abrasives
- acids

POLISH:

Using a commercial Stainless Steel Polish is NOT recommended as the protective layer will leave a residue on the highly polished mirror faces. Rubbing plain white flour on a dry stainless steel mirror face with a dry cloth will polish the mirror to its original brilliance.

GRAFFITI REMOVAL:

Any graffiti should be removed from the mirror face as soon as possible and preferably within 24 hours with a suitable lacquer thinners. Not all graffiti cleaning agents are suitable. Failure to use an approved cleaning agent may damage the mirror surface.

POWDER COATED FRAMES:

Do not use harsh cleaning products or products that will leave a residue, as this will damage the powder coating which protects the frame.