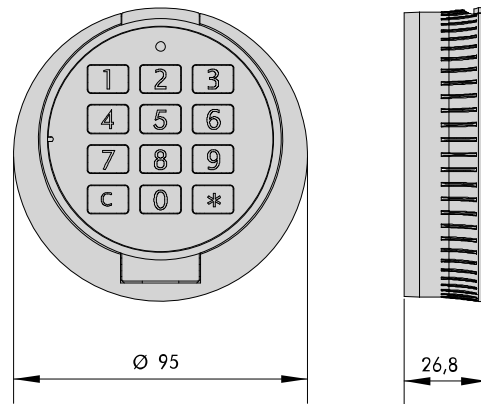


5 Installation input unit Primor RO

5.1 Input unit Primor RO

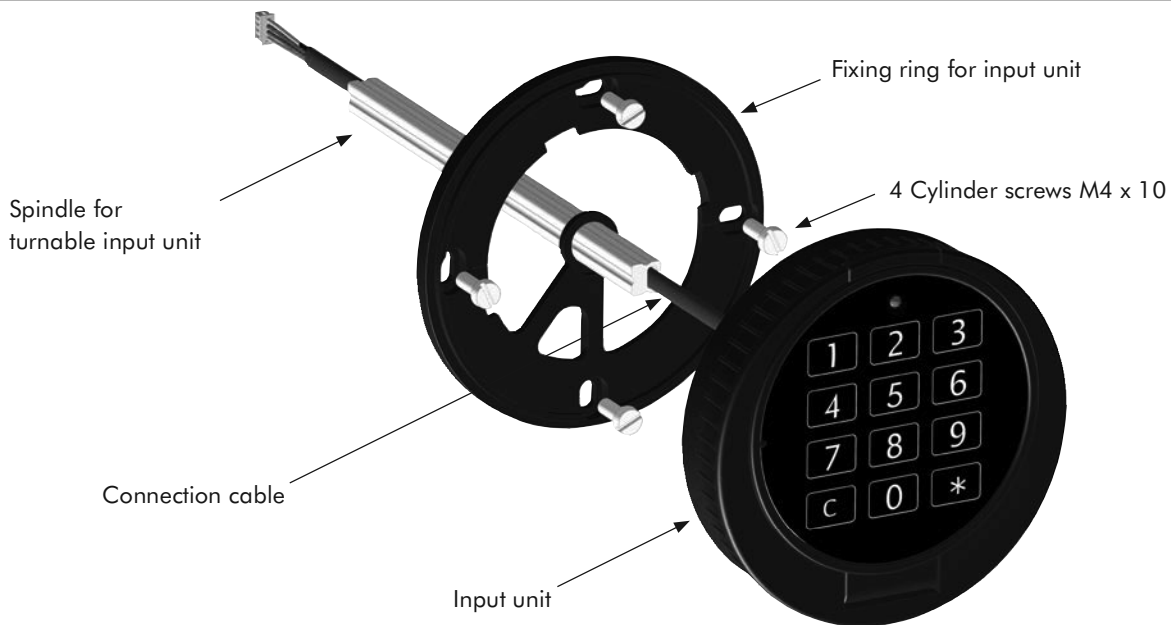


5.1.1 Dimensions Primor RO



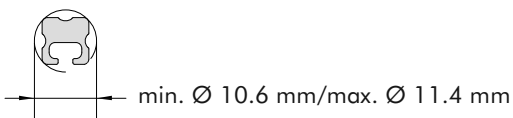
5.2 Installation overview

5.2.1 Input unit Primor RO

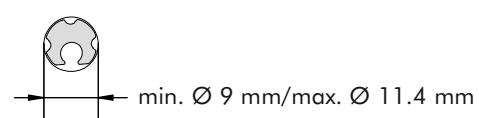


5.3 Panel hole Primor RO (turnable)

5.3.1 Spindle square

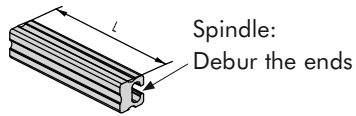
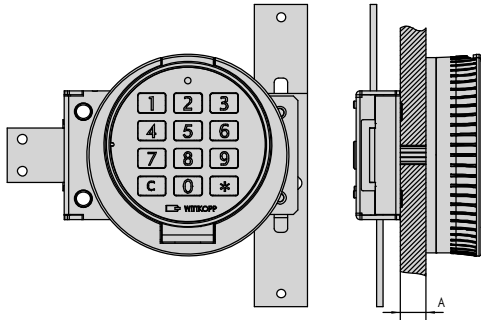


5.3.2 Spindle round



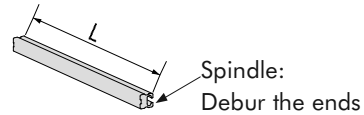
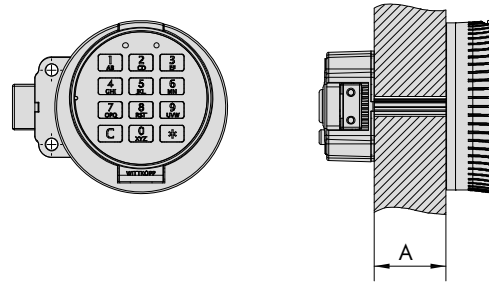
5.4 Axis length calculation input unit Primor RO (drehbar)

5.4.1 In connection with Primor 100



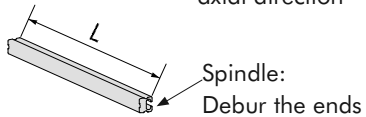
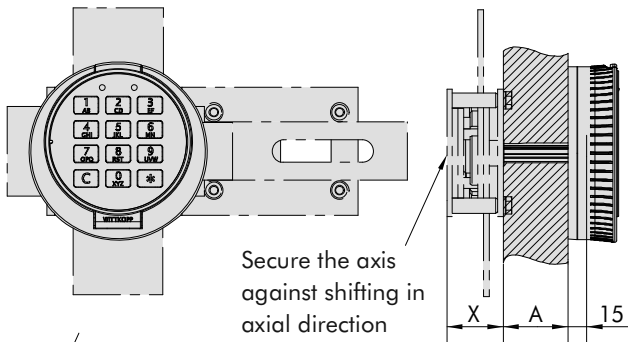
$$L = A + 28 \text{ mm (tolerance -4 mm)}$$

5.4.2 In connection with Primor 2000



$$L = A + 43 \text{ mm (tolerance -4 mm)}$$

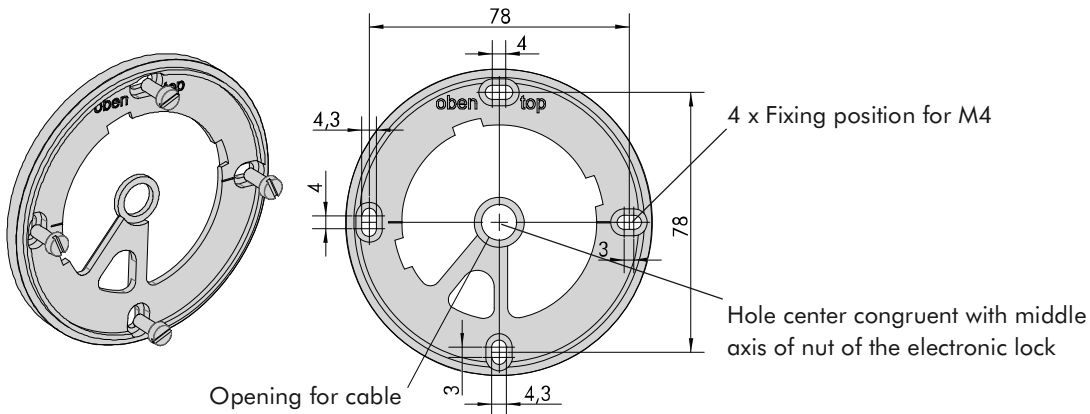
5.4.3 In connection with boltwork



$$L = X + A + 15 \text{ mm (+ axial hedge)}$$

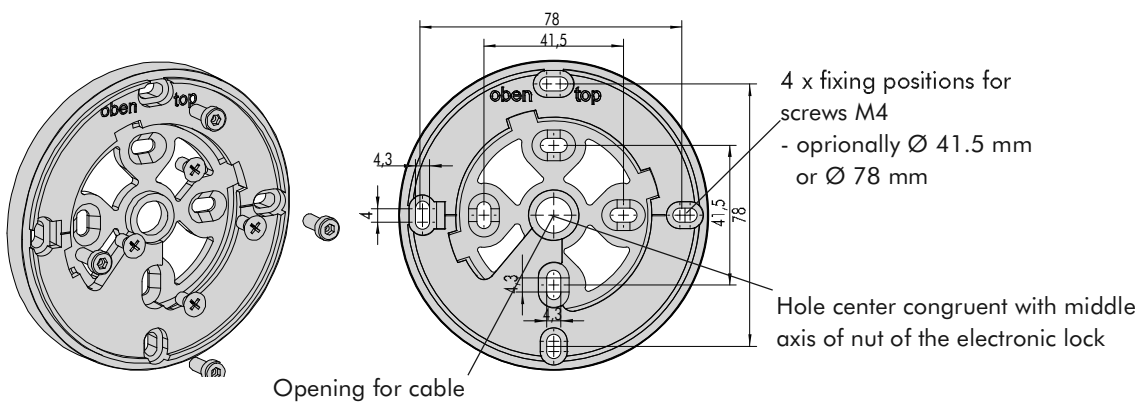
5.5 Mounting input unit

5.5.1 Drill pattern fixing with 4 threaded holes Primor RO



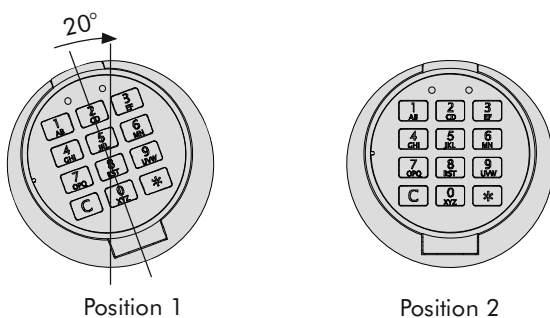
- From the front 4 threaded holes M4 with sufficient thread depth and 1 through-hole (opening for cable/Spindle) have to be drilled into the safe door.
- From the front the fixing ring has to be fixed with the enclosed cylinder screws M4 x 10.

5.5.2 Drill pattern fixing with 8 threaded holes Primor RO



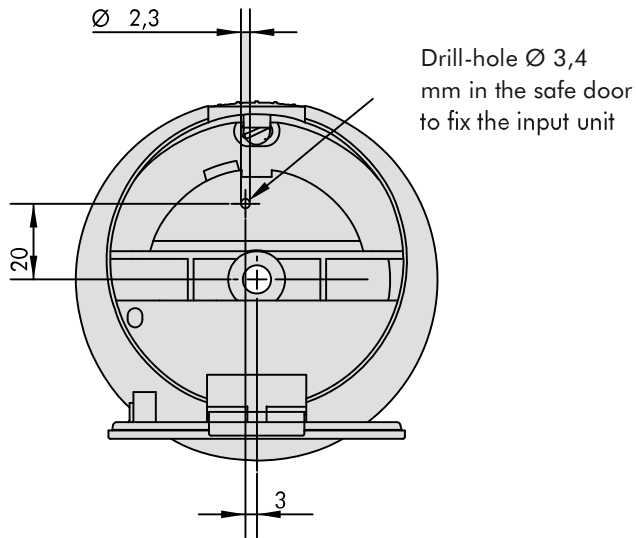
- From the front 4 threaded holes M4 with sufficient depth thread and 1 through-hole (opening for cable/Spindle) have to be drilled into the safe door.
- From the front the fixing ring has to be fixed with the enclosed cylinder screws M4 x 10.

5.5.2 Mounting input unit Primor RO



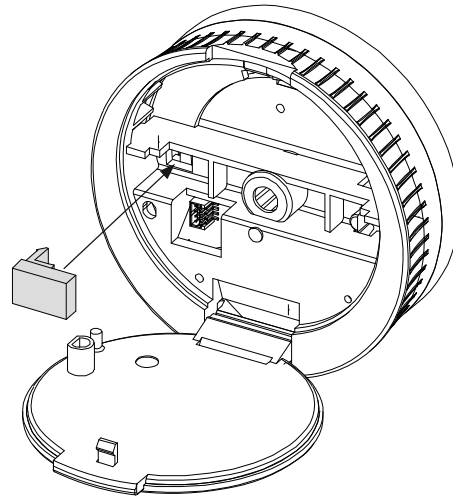
- Position 1: Mount the input unit with an angle of approx. 20° to the fixing ring.
- Position 2: Turn the input unit to the right into position. The turning has to happen easily.

5.5.3 Input unit Primor RO (fixed) Fixing ring with 4 threaded holes



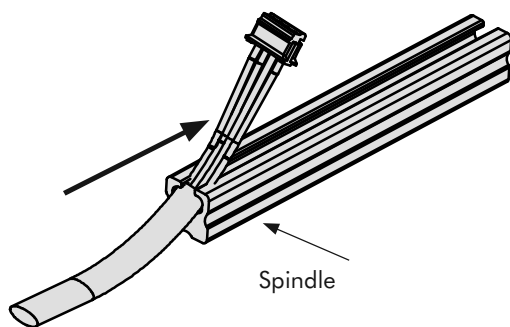
- Fit input unit of approx. 20° (see 5.5.2), adjusting and insert grub screw M3 x 6 or arrest pin.

5.5.4 Input unit Primor RO (fixed) Fixing ring with 8 threaded holes



- Fit input unit of approx. 20° (see 5.5.2), adjusting and insert clip.

5.5.5 Cable guidance Primor RO (drehbar)



- Lead connection cable through the input unit.
- Insert the Spindle into the input unit from behind.
- Lead connection cable through the input unit and connect the plug.

5.5.6 Plug position Primor RO

