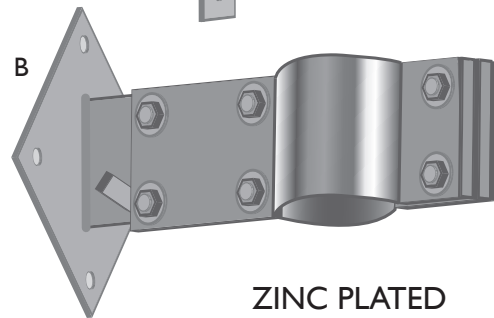
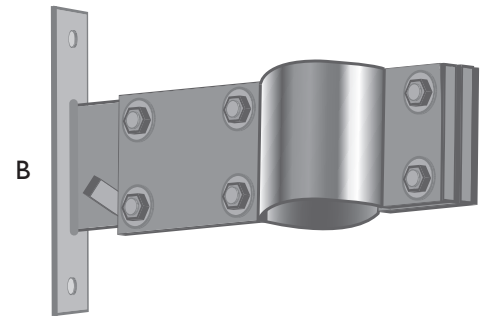
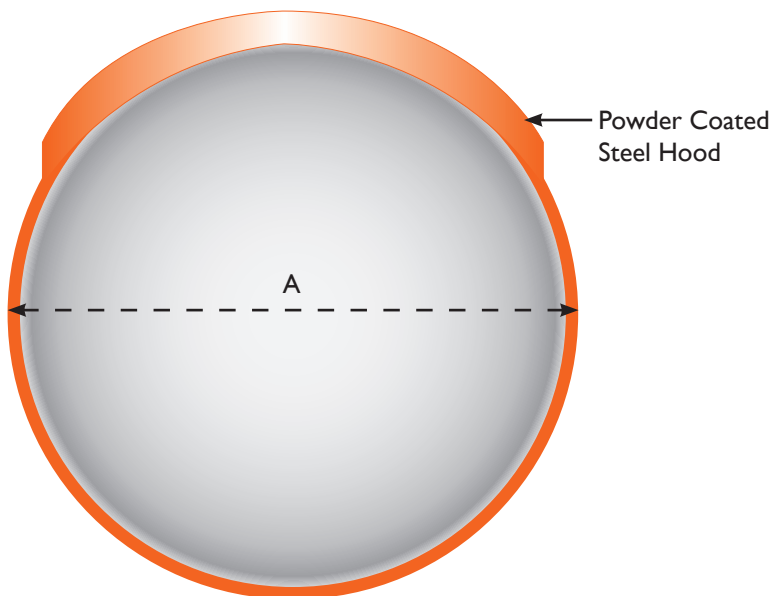


Part Number	MI6066C	MI6087C	MI6445C
Total Diameter (A)	665mm	865mm	1065mm
Mirror Face Diameter	625mm	825mm	1025mm
Mirror Depth	20mm	30mm	25mm
Stainless Steel Thickness	.9mm 304#	.9mm 304#	1mm 304#
Slot Adjustor Size (B)	210x50mm	210x50mm	170x170mm
Mounting Bracket	75mm Clamp	75mm Clamp	75mm Clamp
Back	10mm Celuka	10mm Celuka	10mm Celuka

FRONT VIEW



ZINC PLATED
CLAMP BRACKET

REAR VIEW

