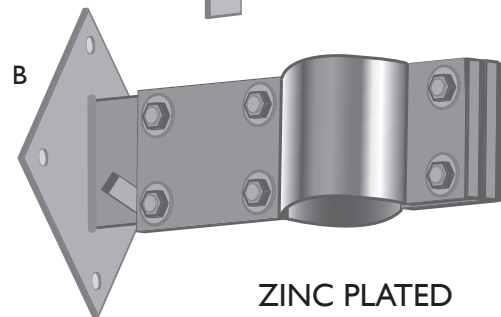
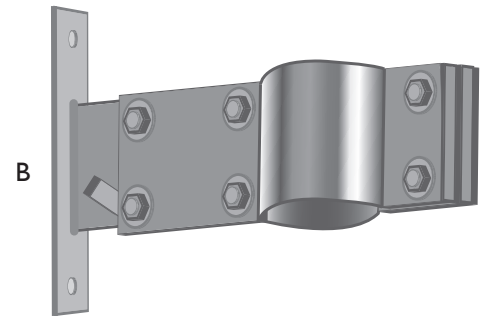
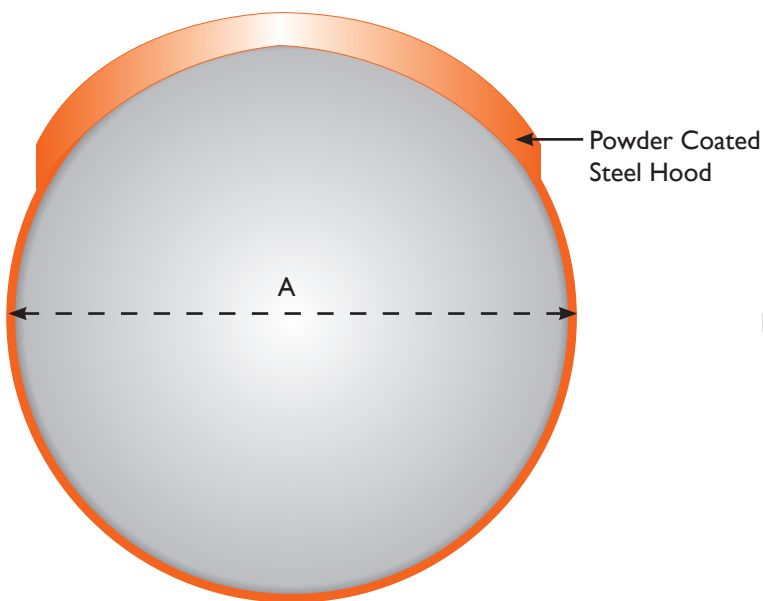


Part Number	M18066D	M18087D	M18445D
Total Diameter (A)	600mm	800mm	1000mm
Mirror Face Diameter	590mm	790mm	991mm
Mirror Depth	41mm	66mm	82mm
Acrylic Thickness	3mm	3mm	3mm
Mounting Bracket	75mm Clamp	75mm Clamp	75mm Clamp
Slot Adjustor Size (B)	210x50mm	210x50mm	170x170mm
Back	10mm Celuka	10mm Celuka	10mm Celuka

FRONT VIEW



ZINC PLATED
CLAMP BRACKET

REAR VIEW

