

FIRE STOR

Models 1020, 1021, 1022, 1023, 1024

INSTALLATION OF CABINET

In order to correctly install the product it is necessary to take into account: the floor capacity (Weight), external dimensions of the product, as well as door-width and the fact that it opens 180°.

ANCHORING OF CABINET

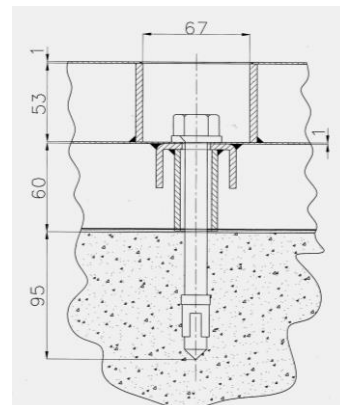
All products have two fixing points in the bottom for anchoring.

Anchoring procedure:

- Place the safe in position and check the functionality of the product by opening its door.
- Using an electric drill with an impact effect and 12 mm concrete bit, start drilling the hole through the fixing points. The holes into the floor should be drilled to the depth of 95 mm. **Min. strength of concrete floor should be 25 MPa.**
- Remove the dust from the holes using a vacuum or similar.
- Check to ensure that total hole depth is sufficient to allow for bolt head to be recessed – see the drawing.
- Insert the segment bolt into the holes with light blows of a hammer. The nut must be screwed on top of the bolt so that the hammer touches it and does not damage the threads.
- Tightening the nuts to 50 Nm. Anchoring is then complete.

Warning:

After anchoring, the product is now stable – In cases that the anchoring procedure is not complied with the insurance rating may not be applicable and there is a risk of the product being unstable, it could tip forward.



OPENING AND LOCKING THE PRODUCT

Standard locking: 1 key lock with 2 keys. In case of other locks – mechanical combination lock or electronic combination lock – the operating instructions are separately included in the safe.

Opening/locking procedure of the door:

- Push or lift the key hole cover until the key hole access is fully open.
- Insert the key in to the hole in such a way that the longer part of the key bit is downwards - push key fully in.
- Turn the key in clockwise direction by about one half of a turn and the lock opens. In this position it is impossible to remove the key from the hole.
- When the lock is open, turn the handle upwards in a clockwise direction by about quarter of a turn and open the product by pulling the door towards you.

Locking procedure/closing the door:

- Close the door first and turn the door handle to the close position.
- Lock the key-lock in counter clockwise direction by about one half of a turn, so that the key can be removed. The product is locked.

Important warning:

After finishing the closing/locking procedure – do not leave the key in the lock of the door! Keep the key safely – take care that no authorised person can obtain the key!

WARNING - LOAD CAPACITY FOR INSIDE EQUIPMENT

- Cabinet, width 930 mm and 1200 mm: max load capacity 45 kg per shelf / pull-out inside equipment
- Cabinet, width 600 mm: max load capacity 23 kg per shelf / pull-out inside equipment

MAINTENANCE

Regular maintenance will ensure correct operation of the product. The following procedures should be carried out at 12 monthly intervals:

- The closing and opening operation of bolt work and locks.
- Operation of handle and gearing.
- Opening of the safe door to the end position.
- Lubrication of the door hinges through the lubrication points on the hinges.

Warning

Never lubricate the key or combination lock with oil.

Should the product be attacked by attempted forced entry or suffer fire damage please check with your insurers as to the position on future repairs and servicing by authorised personnel/safe engineers, as this could invalidate your certification if not carried out correctly.